

D

C

B

A

4

4

Optional Sublens

Iris Lens

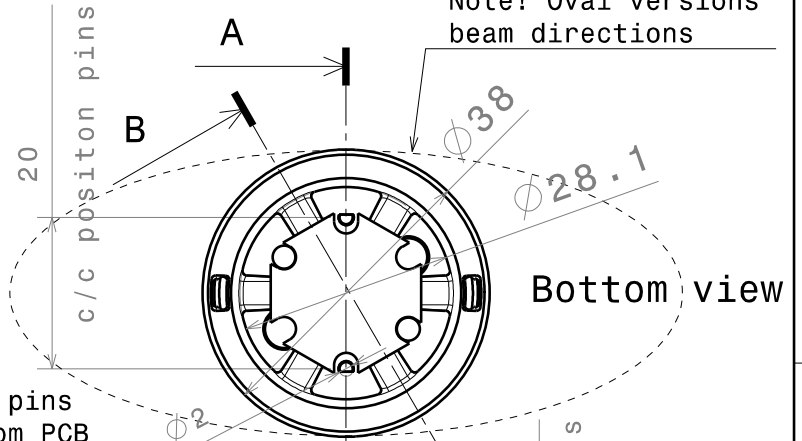
Iris SST-Holder

Led

Section view A-A

Position pins for custom PCB

Note! Oval versions beam directions

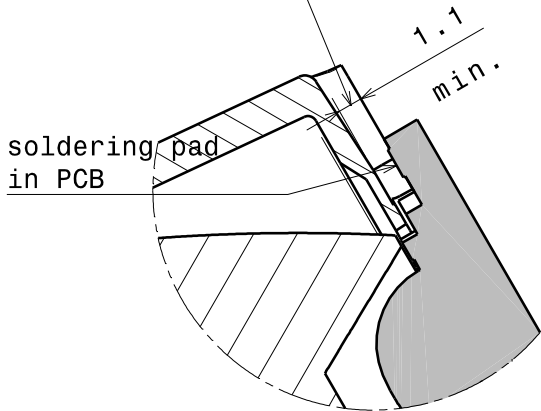


Bottom view

3

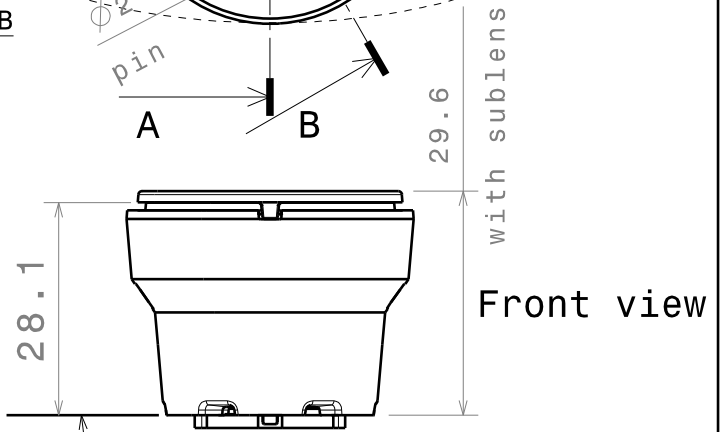
3

6x space for soldering&wires



soldering pad in PCB

Section view B-B  
Scale: 3:1



Front view

top of PCB

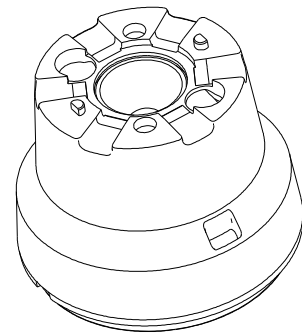
2

2

Materials:  
Lens PMMA  
Holder PC

Part no.s:  
Spot CA11770\_Iris-SST-50  
Medium CA11771\_Iris-M-SST-50  
Oval CA11772\_Iris-0-SST-50  
Spot CA11770\_Iris-SST-90  
Medium CA11771\_Iris-M-SST-90  
Oval CA11772\_Iris-0-SST-90

Isometric view, lenses & holder



This drawing is our property. It can't be reproduced or communicated without our written agreement.



Ledil Oy  
Tehdaskatu 13  
FIN-24100 SALO  
Finland

DRAWING TITLE

Datasheet Iris-SST assy

1

1

DRAWN BY

pv

DATE

29.10.2010

CHECKED BY

tk

DATE

29.10.2010

SIZE

A4

DRAWING NUMBER

-

REV

1

DESIGNED BY

pv

DATE

28.04.2010

SCALE

1:1

WEIGHT (g)

SHEET

1/1

D

A