

FULLY SEALABLE HEIDI-XP lenses for CREE XP-E LEDs



- Specially designed for Cree XLAMP XP-E series of LEDs.
- Lens material optical grade PMMA with high UV and temperature resistance (105°C/220°F)
- High optical efficiency, up to 90%
- No lens holder. Fastening to heat sink with a PU foam adhesive tape of automotive grade
- Lens foot can be potted with resin without losses in optical efficiency (**fully sealed construction** of luminaire possible)
- Diameter 21.6 mm

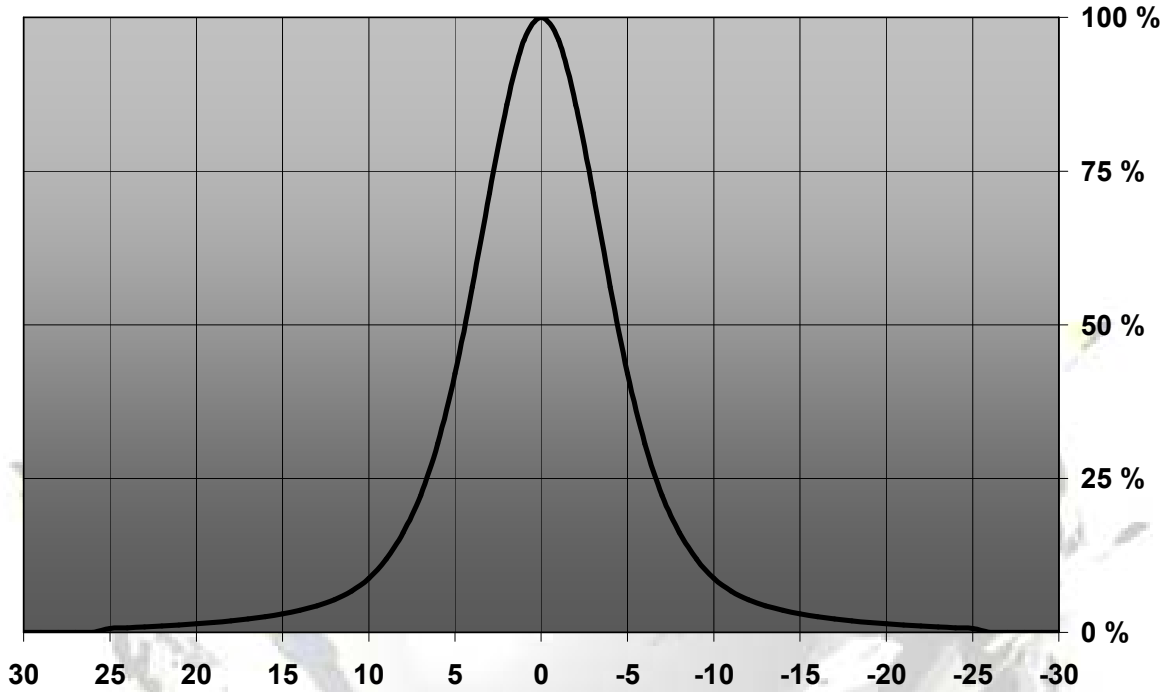
LENS TYPES

NAME	ORDERING CODE	FWHM Angle
HEIDI diffuser	CA11264_Heidi-D-XP	±4°
HEIDI medium	CA11265_Heidi-M-XP	±14°
HEIDI oval	CA11266_Heidi-O-XP	±25° x ±5°
HEIDI oval turned 90°	CA11267_Heidi-O-90-XP	±25° x ±5°

© Ledil Oy – Subject to change without prior notice

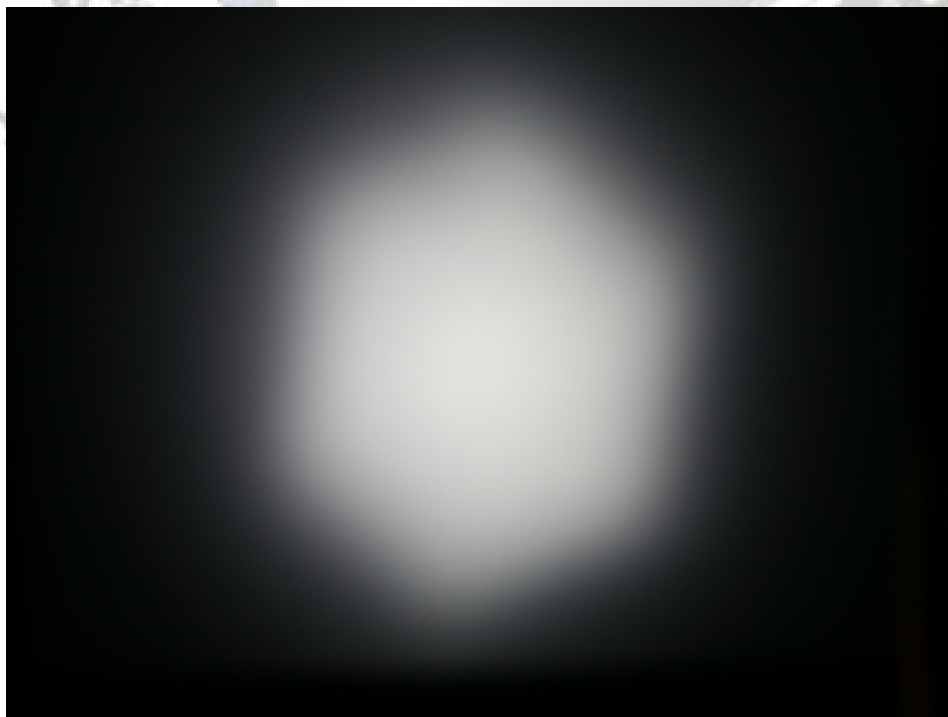
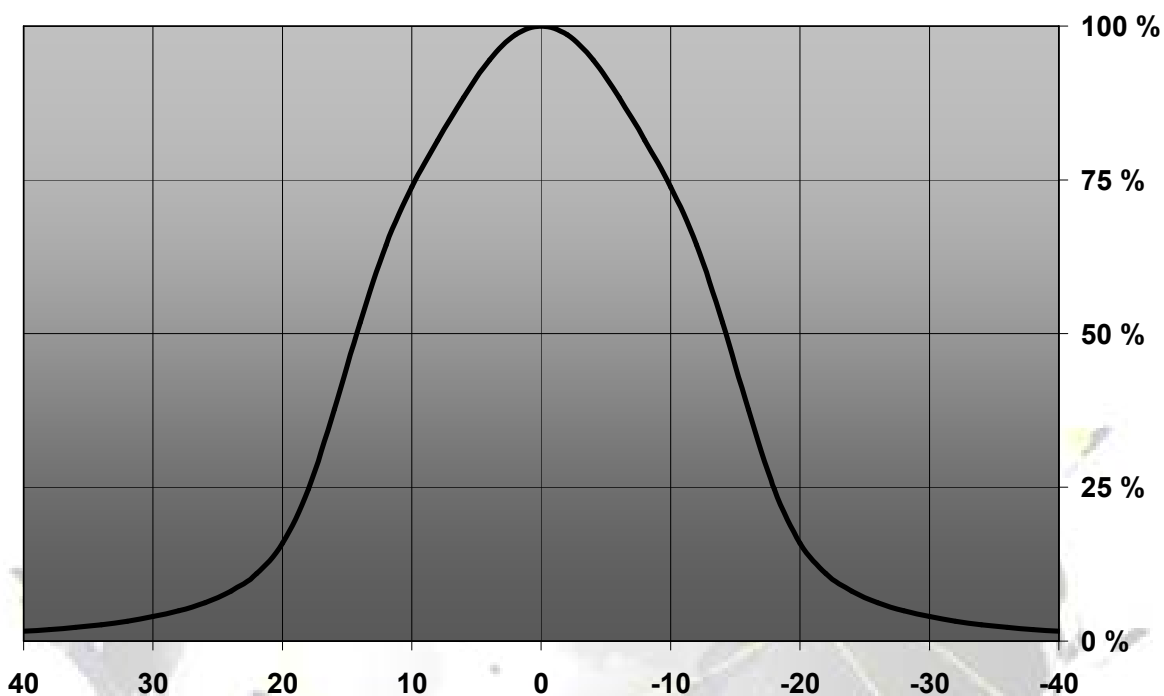
MEASUREMENTS

Relative Intensity of CA11264_Heidi-D-XP



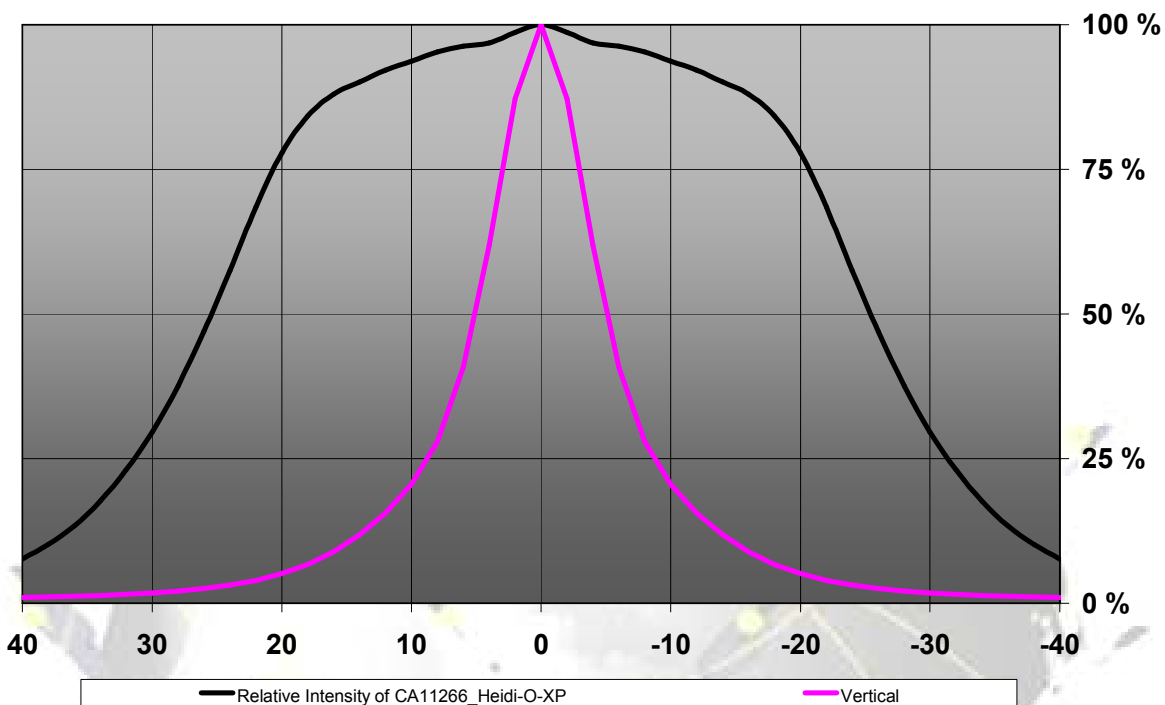
© Ledil Oy – Subject to change without prior notice

Relative Intensity of CA11265_Heidi-M-XP



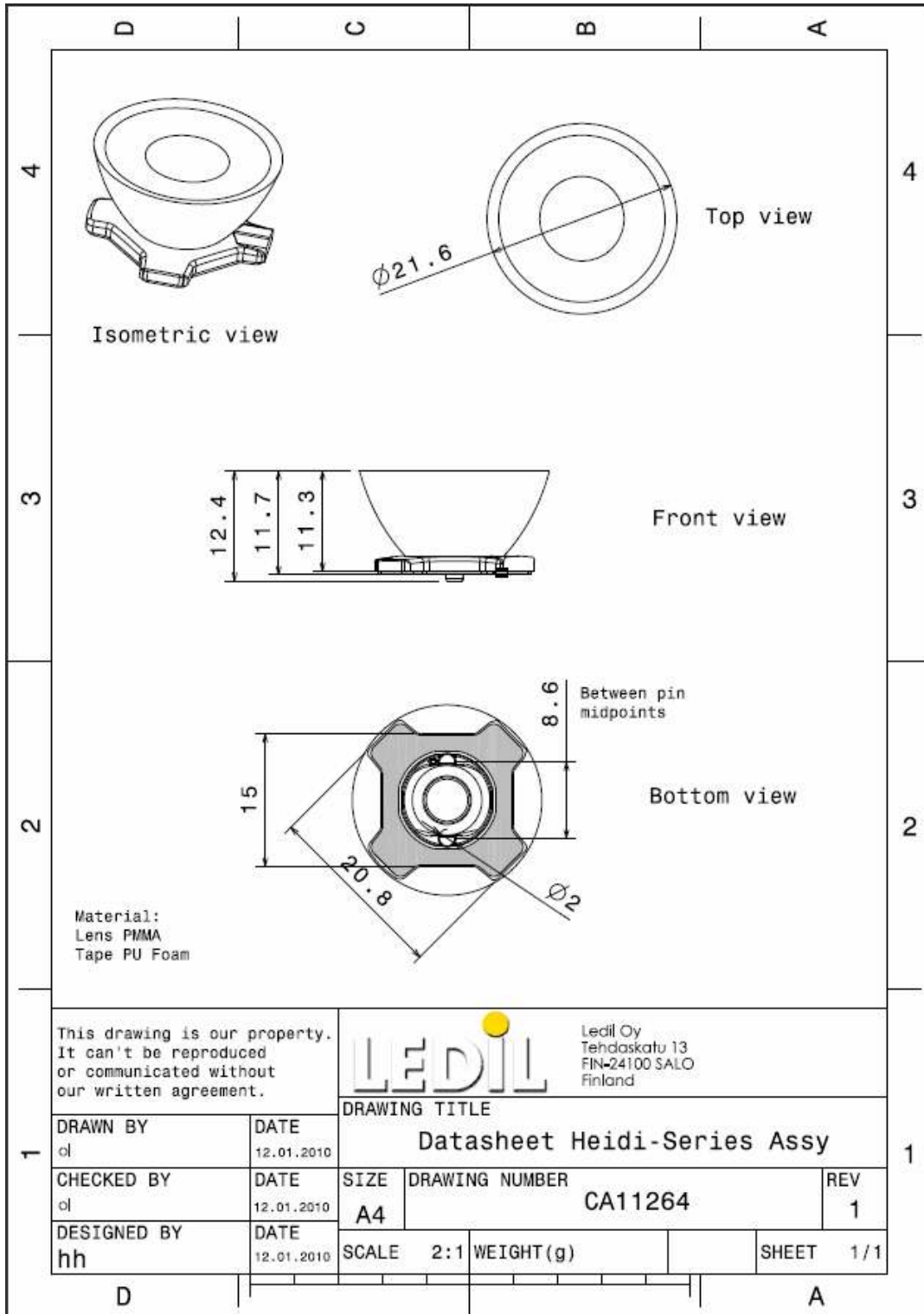
© Ledil Oy – Subject to change without prior notice

Relative Intensity of CA11266_Heidi-O-XP



© Ledil Oy – Subject to change without prior notice

DRAWINGS



© Ledi Oy – Subject to change without prior notice